

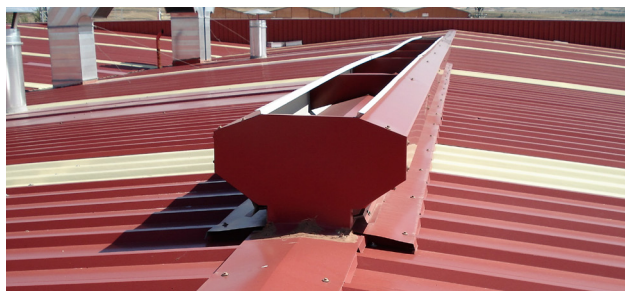
STATIC AERATOR

PRODUCT

The **Static aerators G-250, G-500 and G-900** are designed for **interior air renewal** in industrial buildings.

Manufactured from high-quality steel sheets.

Option for manufacture in various thicknesses, coatings and colours, thus obtaining full integration into the enclosure.



TECHNICAL SPECIFICATIONS

Support structure consisting of hot-galvanised steel flat bars.

Available with die-stamped gutters to prevent air recirculation and improve its aesthetic finish.

The length of each module is determined by the TZ cladding profile or TZ panel used on the roof, adding 200 mm of overlap:

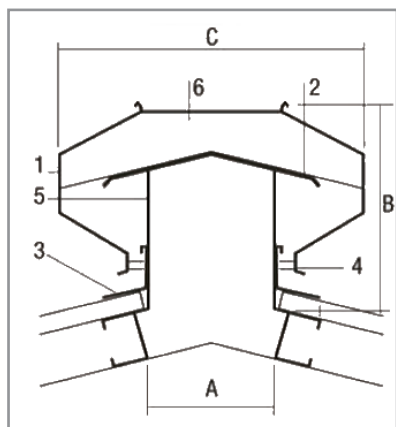
TZ-30 profile /Module length: 3,500 mm

TZ-32 profile /Module length: 3,350 mm

TZ-40 profile /Module length : 3,200 mm

TZ-C panel /Module length: 3,650 mm

TZ-XT panel /Module length: 3,200 mm



Aeration module

1. Casings (2 units)
2. Interior roof ridge (1 unit)
3. Die-stamped gutter (2 units)
4. Spacer bushing (6 units)
5. Support structure (3 units)
6. Interior spacer (1 unit)

	A (mm)	B (mm)	C (mm)
G-250	250	360	600
G-500	500	685	1,100
G-900	910	1,042	1,903

EXTRACTION TABLE

Ti - Te (°C)		6 °C				10 °C				15 °C			
Piezometric height, H (m)		8	10	12	14	8	10	12	14	8	10	12	14
m ³ /h of aeration per m	G-250	865	980	1,060	1,160	1,130	1,270	1,410	1,570	1,390	1,565	1,755	1,890
	G-500	1,710	1,920	2,080	2,270	2,230	2,550	2,790	3,080	2,750	3,075	3,460	3,740
	G-900	3,078	3,456	3,744	4,086	4,014	4,590	5,022	5,544	4,950	5,535	6,228	6,732

Manufacturing information: roof slope, roof profile, colour, number of modules and arrangement (continuous or isolated).

APPLICABLE STANDARDS

UNE-EN 10346 standard for galvanised coatings.

UNE-EN 10169 standard for organic coatings.

Kingspan reserves the right to modify the contents of this document without any prior warning