



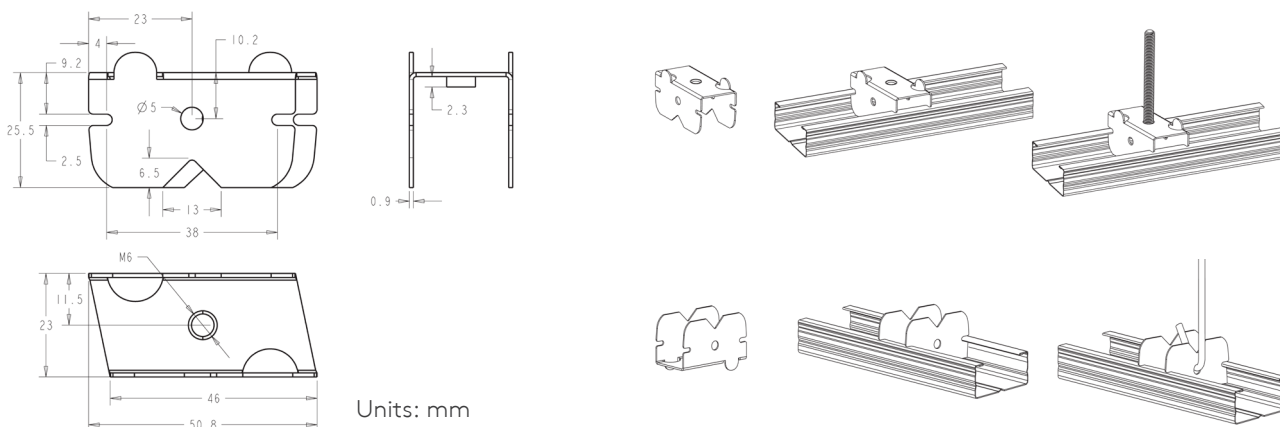
UNIVERSAL OBLIQUE HANGER

DESCRIPTION AND USES

- Accessory designed for suspending F45/F47 rails in continuous suspended ceilings.
- An optimized and versatile design, fastened to the rail by pressure, without screws.
- Suspended from the upper floor structure or ceiling with an M6 threaded rod or with a smooth rod ending in a hook.



DIMENSIONS AND ASSEMBLY



TECHNICAL CHARACTERISTICS

CHARACTERISTICS		DECLARED VALUE / CLASS
FIRE RESISTANCE		Class A1 according to standard EN 13501
LOAD CAPACITY (normal position)	Load process level	475 N according to tests carried out
	Load failure level	1,180 N according to tests carried out
LOAD CAPACITY (reverse position)	Load process level	320 N according to tests carried out
	Load failure level	800 N according to tests carried out
DURABILITY	Coating	Z100 according to standard EN 10346:2015

Made of DX51D steel with a nominal thickness of 0.9 mm and hot-dipped galvanized finish.



Manufactured in accordance with the provisions of EU directive 89/106/EEC for construction products that are used in accordance with the UNE EN 13964:2016 standard for suspended ceiling kits.

Complies with the CE marking requirement of the UNE 13964:2016 standard in Annexes ZA.1.4 and ZA.2 system 4.

REFERENCES AND PACKAGING

CHARACTERISTICS	VALUE
National classification	73269094/90
Barcode	8436574720280
Quantity per box	100 units
Quantity per pallet	25,200 units
Weight per box	2.0 kg

The data on this sheet has been provided by our supplier. In no case does it constitute a legal guarantee regarding the properties and/or functionality regarding the use of the component.

Teczone Española S.L.U. reserves the right to modify the contents of this document without any prior warning. Every effort has been made to ensure that the content of this publication is accurate, but Teczone Española S.L.U. and its affiliated companies are not responsible for errors or information that may be misleading. Suggestions regarding the final use or application of the products or work methods are merely informative and Teczone Española S.L.U. and its affiliates do not accept any responsibility in this regard.